



M'AMA

height 1400 mm, length 550 mm. Matt White finish (cod. J8).
Designed by Angeletti & Ruzza

**Technical features:**

- radiating panel
- 1/2" Gas right threading
- maximum working pressure 4 bar
- maximum working temperature 95°C

Price included:

- innovative water connection system installed on the product complete with fittings for connection to copper pipes (12, 14 and 15 mm diameter) and multilayer pipes (14 x 2 thick and 16 x 2 thick)
- wall fixing system built into the product column
- air vent

Finishes available	Surcharge
---------------------------	------------------

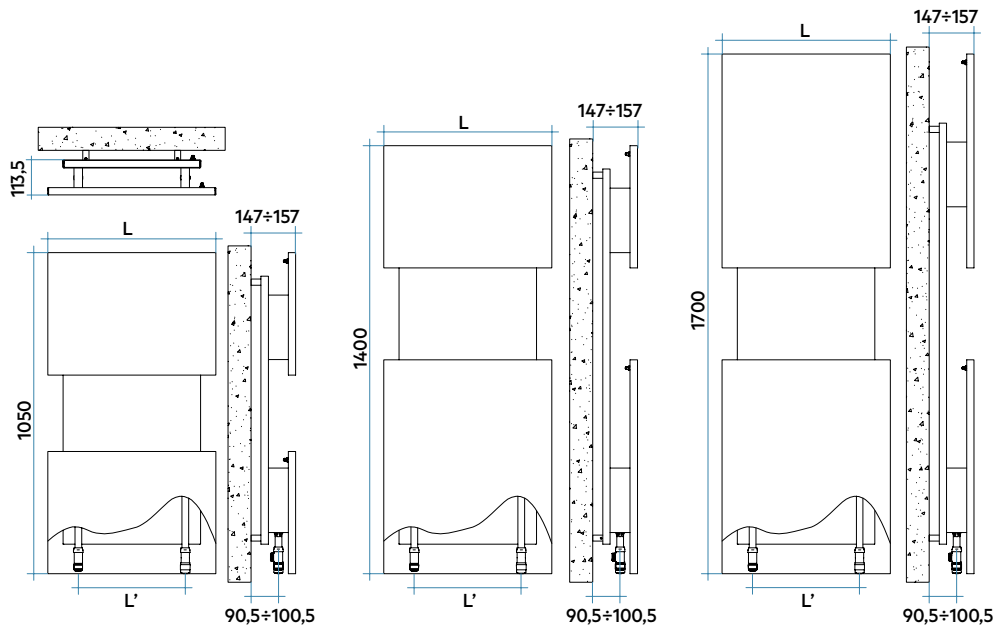
Standard White

Classic finished

Special finished

Other RAL colors

Finishing codes see page 596.



Model	Code	Depth mm	Height mm	Width mm	Conn. C. mm	Weight Kg	Cap. lt	Thermal Power				Exp. n.	
								$\Delta t=50^{\circ}\text{C}$ Btu/h	$\Delta t=40^{\circ}\text{C}$ Watt	$\Delta t=30^{\circ}\text{C}$ Watt (°)	$\Delta t=20^{\circ}\text{C}$ Watt		
1050 x 550	MAMP055B XX IR ANN	113,5	1050	550	350	13,4	1,4	2508	735	558	391	236	1,238
1400 x 550	MAML055B XX IR ANN	113,5	1400	550	350	17,2	1,8	3125	916	688	476	283	1,280
1700 x 550	MAME055B XX IR ANN	113,5	1700	550	350	20,3	2,1	3671	1076	812	564	338	1,263

(*) Thanks to the high performance of Irsap M'AMA radiators, the ideal Δt for low temperature projects is Δt at 30°C.
For Δt different from 50°C use the formula: $Q=Q_n (\Delta t / 50)^n$

Key Codes

